

# WEICHA WF25-35D/G



**WEICHA***AI*

1.1	Manufacturer		WEICHAI	WEICHAI	WEICHAI
1.2	Manufacturer's type designation		WF25D NO EU	WF30D NO EU	WF35D NO EU
1.3	Drive: electric, diesel, petrol, fuel gas		Diesel	Diesel	Diesel
1.4	Operator type: hand, pedestrian, standing, seated, order-picker		Seated	Seated	Seated
1.5	Rated capacity / Rated load	Q (t)	2.5	3,0	3.5
1.6	Load centre distance	c (mm)	500	500	500
1.8	Load distance, centre of drive axle to fork	x (mm)	494	504	509
1.9	Wheelbase	y (mm)	1760	1760	1760
2.1	Service weight	Kg	4075	4510	4920
2.2	Axle loading, laden front/rear	Kg	5831/774	6594/916	7345/1075
2.3	Axle loading, unladen front/rear	Kg	1905/2200	1883/2627	1848/3072
3.1	Tyres: solid rubber, superelastic, pneumatic, polyurethane		PN	PN	PN
3.2	Tyre size, front		28x9-15/18PR	28x9-15/18PR	28x9-15/18PR
3.3	Tyre size, rear		6,50-10/14PR	6,50-10/14PR	6,50-10/14PR
3.6	Tread, front	b10 (mm)	1030	1030	1030
3.7	Tread, rear	b11 (mm)	953	953	953
4.1	Tilt of mast/fork carriage forward/backward	$\alpha/\beta$ (°)	6/12	6/12	6/12
4.2	Height, mast lowered	h1 (mm)	2146	2146	2146
4.3	Free lift	h2 (mm)	150	150	150
4.4	Lift	h3 (mm)	3000	3000	3000
4.5	Height, mast extended	h4 (mm)	3715	3715	3715
4.7	Height of overhead guard (cabin)	h6 (mm)	2231	2231	2231
4.8	Seat height/stand height	h7 (mm)	1202	1202	1202
4.12	Coupling height	h10 (mm)	432	432	432
4.19	Overall length	l1 (mm)	3780	3790	3870
4.20	Length to face of forks	l2 (mm)	2780	2790	2870
4.21	Overall width	b1/b2 (mm)	1265	1265	1265
4.22	Fork dimensions ISO 2331	s/e/l (mm)	45x100x1000	45x122x1000	50x150x1000
4.23	Fork carriage ISO 2328, class/type A, B		II A	III A	III A
4.24	Fork carriage width	b3 (mm)	1040	1100	1100
4.31	Ground clearance, laden, below mast	m1 (mm)	146	145	144
4.32	Ground clearance, centre of wheelbase	m2 (mm)	163	161	159
4.34.1	Aisle width for pallets 1000 x 1200 crossways	Ast (mm)	4145	4145	4220
4.34.2	Aisle width for pallets 800 x 1200 lengthways	Ast (mm)	4345	4345	4420
4.35	Turning radius	Wa (mm)	2440	2440	2510
4.36	Internal turning radius	b13 (mm)	673.5	673.5	673.5
5.1	Travel speed, laden/unladen	km/h	17,2/17,5	17,2/17,5	17,2/17,5
5.2	Lift speed, laden/unladen	m/s	0,510/0,570	0,510/0,570	0,510/0,570
5.3	Lowering speed, laden/unladen	m/s	0,400/0,450	0,400/0,450	0,400/0,450
5.5	Drawbar pull, laden/unladen	kN	16,9/10,5	16,5/11,1	16,3/10,9
5.7	Gradeability, laden/unladen	%	26/26	22/25	20/22
5.10	Service brake		Mech/Hydr	Mech/Hydr	Mech/Hydr
7.1	Engine manufacturer/type		Weichai WP3.2	Weichai WP3.2	Weichai WP3.2
7.2	Engine power according to ISO 1585	kW	36.8	36.8	36.8
7.3	Rated speed	min-1	2300	2300	2300
7.4	Number of cylinders/displacement	cm3	4/3170	4/3170	4/3170
7.5	Fuel consumption according to VDI cycle	l/h or kg/h	3,2 l/h	3,3 l/h	3,4 l/h
7.9	Vehicle electrical system voltage	V	12	12	12
8.1	Type of drive unit		Hydrodynamic	Hydrodynamic	Hydrodynamic
10.4	Fuel tank, capacity	l/kg	62.7	62.7	62.7
10.8	Towing coupling, type DIN		Pin	Pin	Pin





**WF25D NO EU**

Mast type	H3	Capacity - Load center 500 mm	Capacity - Load center 500 mm - with IntegSideshift	Capacity - Load center 500 mm - with Sideshift	H1	H4	H2
VM Tele	3000	2500	2500	2250	2147	3715	150
	3250	2500	2500	2250	2247	3965	150
	3500	2500	2500	2250	2447	4215	150
	4000	2500	2330	2090	2747	4715	150
	4500	2240	1990	1770	2997	5215	150
	5000	1950	1650	1450	3247	5715	150
	5500	1660	1310	1130	3497	6215	150
VFM 2 stage	3000	2500	2500	2250	2112	3752	1353
	3300	2500	2500	2250	2312	4052	1553
	3500	2500	2500	2250	2412	4252	1653
	4000	2500	2330	2090	2712	4752	1953
	4500	2240	1990	1770	2962	5252	2203
VFHM triplex	4350	2200	2070	1840	2162	5102	1403
	4500	2100	1980	1750	2212	5252	1453
	4650	2010	1880	1670	2212	5402	1453
	5000	1800	1670	1460	2412	5752	1653
	5500	1500	1360	1170	2662	6252	1903
	6000	1200	1050	880	2912	6752	2153
	6500	900	750	600	3112	7252	2353

**WF30D NO EU**

Mast type	H3	Capacity - Load center 500 mm	Capacity - Load center 500 mm - with IntegSideshift	Capacity - Load center 500 mm - with Sideshift	H1	H4	H2
VM Tele	3000	3000	3000	2700	2147	3715	150
	3250	3000	3000	2700	2247	3965	150
	3500	3000	3000	2700	2447	4215	150
	4000	3000	2710	2430	2747	4715	150
	4500	2640	2300	2030	2997	5215	150
	5000	2250	1880	1640	3247	5715	150
	5500	1850	1470	1250	3497	6215	150
VFM 2 stage	3000	3000	3000	2700	2112	3752	1353
	3300	3000	3000	2700	2312	4052	1553
	3500	3000	3000	2700	2412	4252	1653
	4000	3000	2710	2430	2712	4752	1953
	4500	2640	2300	2030	2962	5252	2203
VFHM triplex	4350	2560	2400	2160	2162	5102	1403
	4500	2450	2290	2050	2212	5252	1453
	4650	2340	2180	1950	2212	5402	1453
	5000	2090	1920	1710	2412	5752	1653
	5500	1720	1540	1370	2662	6252	1903
	6000	1360	1170	1030	2912	6752	2153
	6500	1000	800	700	3112	7252	2353

WF35D NO EU

Mast type	H3	Capacity - Load center 500 mm	Capacity - Load center 500 mm - with IntegSideshift	Capacity - Load center 500 mm - with Sideshift	H1	H4	H2
VM Tele	3000	3500	3500	3150	2147	3715	150
	3250	3500	3500	3150	2247	3965	150
	3500	3500	3500	3150	2447	4215	150
	4000	3500	3060	2740	2747	4715	150
	4500	2970	2580	2290	2997	5215	150
	5000	2500	2110	1850	3247	5715	150
	5500	2020	1630	1400	3497	6215	150
VFM 2 stage	3000	3500	3500	3150	2112	3752	1353
	3300	3500	3500	3150	2312	4052	1553
	3500	3500	3500	3150	2412	4252	1653
	4000	3500	3060	2740	2712	4752	1953
	4500	2970	2580	2290	2962	5252	2203
VFHM triplex	4350	2970	2700	2420	2162	5102	1403
	4500	2840	2550	2280	2212	5252	1453
	4650	2710	2400	2150	2212	5402	1453
	5000	2400	2100	1870	2412	5752	1653
	5500	1970	1680	1480	2662	6252	1903
	6000	1530	1260	1090	2912	6752	2153
	6500	1100	850	700	3112	7252	2353

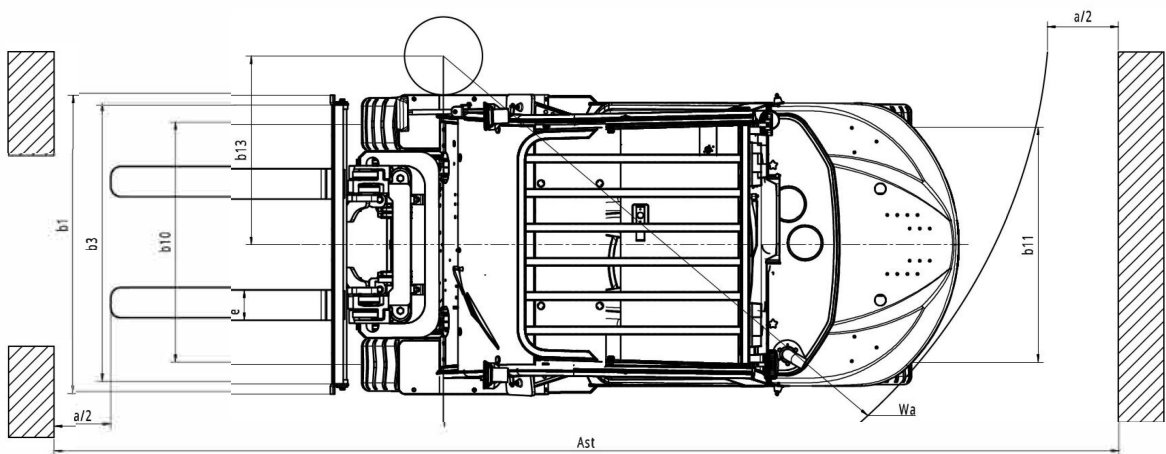
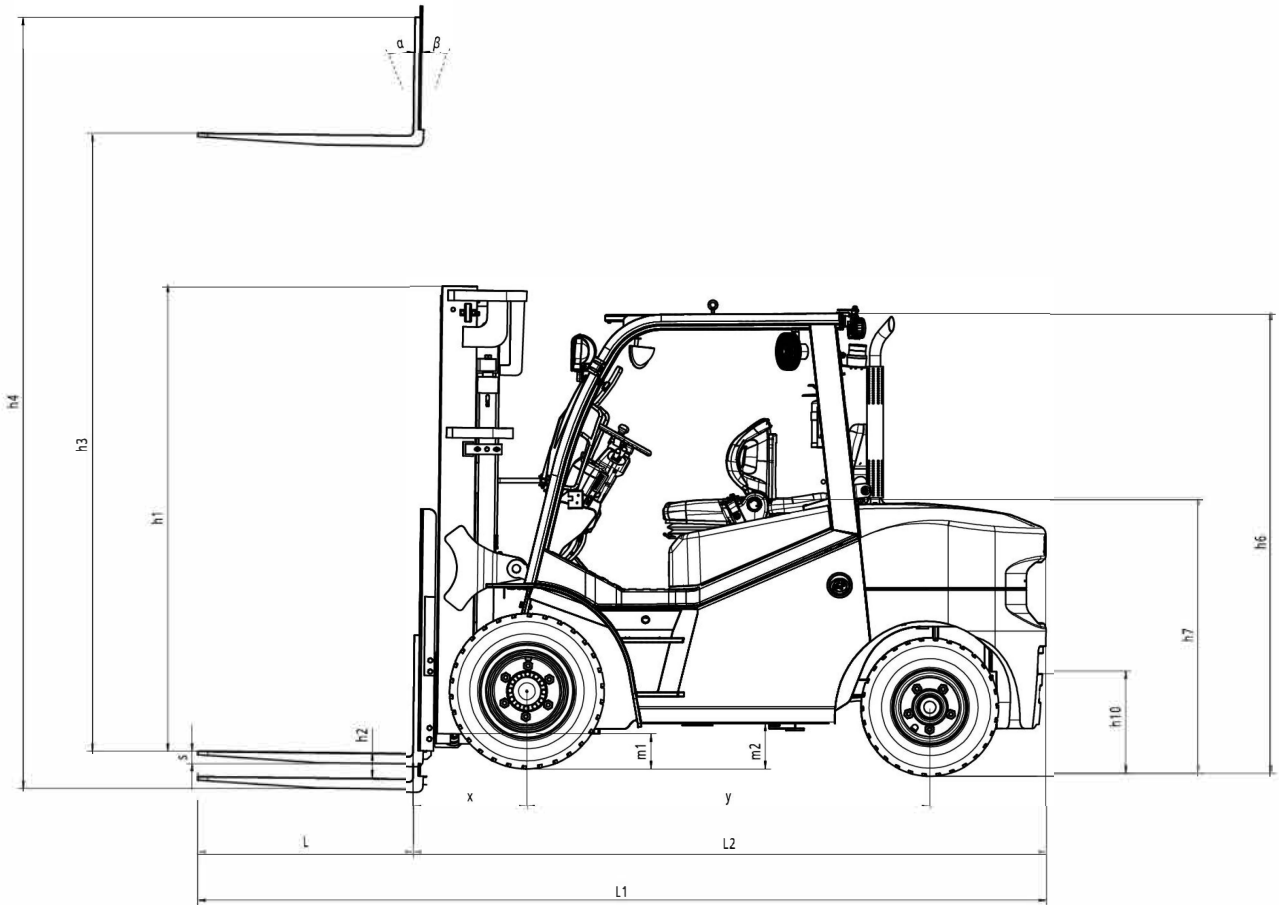


# WEICHAI WF40-50S



**WEICHA***I*

1.1	Manufacturer		WEICHAI	WEICHAI
1.2	Manufacturer's type designation		WF40D	WF50DS
1.3	Drive: electric, diesel, petrol, fuel gas		Diesel	Diesel
1.4	Operator type: hand, pedestrian, standing, seated, order-picker		Seated	Seated
1.5	Rated capacity / Rated load	Q (t)	4,0	5,0
1.6	Load centre distance	c (mm)	500	500
1.8	Load distance, centre of drive axle to fork	x (mm)	562	567
1.9	Wheelbase	y (mm)	2000	2000
2.1	Service weight	Kg	6780	7380
2.2	Axle loading, laden front/rear	Kg	9830/1250	11360/1320
2.3	Axle loading, unladen front/rear	Kg	3340/3440	3220/4160
3.1	Tyres: solid rubber, superelastic, pneumatic, polyurethane		SE	SE
3.2	Tyre size, front		300-15-20PR	300-15-20PR
3.3	Tyre size, rear		7,00-12-12PR	7,00-12-12PR
3.6	Tread, front	b10 (mm)	1180	1180
3.7	Tread, rear	b11 (mm)	1190	1190
4.1	Tilt of mast/fork carriage forward/backward	$\alpha/\beta$ (°)	6/12	6/12
4.2	Height, mast lowered	h1 (mm)	2390	2390
4.3	Free lift	h2 (mm)	150	155
4.4	Lift	h3 (mm)	3000	3000
4.5	Height, mast extended	h4 (mm)	4275	4275
4.7	Height of overhead guard (cabin)	h6 (mm)	2260	2260
4.8	Seat height/stand height	h7 (mm)	1280	1280
4.12	Coupling height	h10 (mm)	380	380
4.19	Overall length	l1 (mm)	4180	4230
4.20	Length to face of forks	l2 (mm)	3110	3160
4.21	Overall width	b1/b2 (mm)	1485	1485
4.22	Fork dimensions ISO 2331	s/e/l (mm)	50x150x1070	55x150x1070
4.23	Fork carriage ISO 2328, class/type A, B		III A	III A
4.24	Fork carriage width	b3 (mm)	1380	1380
4.31	Ground clearance, laden, below mast	m1 (mm)	145	145
4.32	Ground clearance, centre of wheelbase	m2 (mm)	180	180
4.34.1	Aisle width for pallets 1000 x 1200 crossways	Ast (mm)	4552	4597
4.34.2	Aisle width for pallets 800 x 1200 lengthways	Ast (mm)	4752	4797
4.35	Turning radius	Wa (mm)	2790	2830
4.36	Internal turning radius	b13 (mm)	900	900
5.1	Travel speed, laden/unladen	km/h	25,3/26,2	25,3/26,2
5.2	Lift speed, laden/unladen	m/s	0,456/0,528	0,456/0,528
5.3	Lowering speed, laden/unladen	m/s	0,455/0,320	0,455/0,320
5.5	Drawbar pull, laden/unladen	kN	24	24
5.7	Gradeability, laden/unladen	%	20	20
5.10	Service brake		Mech/Hydr	Mech/Hydr
7.1	Engine manufacturer/type		Weichai WP4.1	Weichai WP4.1
7.2	Engine power according to ISO 1585	kW	62.5	62.5
7.3	Rated speed	min-1	2300	2300
7.4	Number of cylinders/displacement	cm3	4/4090	4/4090
7.5	Fuel consumption according to VDI cycle	l/h or kg/h	10	12
7.9	Vehicle electrical system voltage	V	24	24
8.1	Type of drive unit		Hydrodynamic	Hydrodynamic
10.4	Fuel tank, capacity	l/kg	90/75	90/75
10.8	Towing coupling, type DIN		Pin	Pin





WF 40D										
Mast type	H3	Capacity - Load center 500 mm	Capacity - Load center 500 mm - with Sideshift	Capacity - Load center 500 mm - Twin tyres	Capacity - Load center 500 mm - Twin tyres - with Sideshift	H1	H4 with load backrest	H2 without load backrest	H2 with load backrest	Tilting angle Front/back
VM Tele	3000	4000	3750	4000	3750	2390	4275	150	150	6/12
	3300	4000	3750	4000	3750	2540	4575	150	150	6/12
	3500	4000	3750	4000	3750	2640	4775	150	150	6/12
	4000	3800	3550	4000	3750	2940	5275	150	150	6/6
	4500	3500	3250	4000	3750	3190	5775	150	150	6/6
	5000	3100	2850	3700	3450	3440	6275	150	150	6/6
VFM 2 stage	2610	4000	3750	4000	3750	2195	3885	1349	970	6/12
	2700	4000	3750	4000	3750	2240	3975	1394	1015	6/12
	3000	4000	3750	4000	3750	2390	4275	1544	1165	6/12
	3300	4000	3750	4000	3750	2540	4575	1694	1315	6/12
	3500	4000	3750	4000	3750	2640	4775	1794	1415	6/12
	4000	3800	3550	4000	3750	2890	5275	2044	1665	6/12
VFHM triplex	3920	3900	3650	3900	3650	2245	5195	1399	1020	6/6
	4350	3800	3550	3800	3550	2390	5625	1544	1165	6/6
	4500	3500	3250	3500	3250	2441	5775	1595	1216	6/6
	4700	3400	3150	3400	3150	2507	5975	1661	1282	6/6
	4800	3400	3150	3700	3450	2540	6075	1694	1315	6/6
	5000	3000	2750	3600	3350	2640	6275	1794	1415	6/6
	5400	2800	2550	3400	3150	2765	6675	1919	1540	3/6
	6000	2000	1750	3200	2950	3005	7275	2159	1780	3/6

WF 50D S										
Mast type	H3	Capacity - Load center 500 mm	Capacity - Load center 500 mm - with Sideshift	Capacity - Load center 500 mm - Twin tyres	Capacity - Load center 500 mm - Twin tyres - with Sideshift	H1	H4 with load backrest	H2 without load backrest	H2 with load backrest	Tilting angle Front/back
VM Tele	3000	5000	4750	5000	4750	2390	4275	150	150	6/12
	3300	5000	4750	5000	4750	2540	4575	150	150	6/12
	3500	5000	4750	5000	4750	2640	4775	150	150	6/12
	4000	4600	4350	4600	4350	2940	5275	150	150	6/6
	4500	4500	4250	4800	4550	3190	5775	150	150	6/6
	5000	4000	3750	4600	4350	3440	6275	150	150	6/6
VFM 2 stage	2610	5000	4750	5000	4750	2195	3885	1349	970	6/12
	2700	5000	4750	5000	4750	2240	3975	1394	1015	6/12
	3000	5000	4750	5000	4750	2390	4275	1544	1165	6/12
	3300	5000	4750	5000	4750	2540	4575	1694	1315	6/12
	3500	5000	4750	5000	4750	2640	4775	1794	1415	6/12
	4000	4600	4350	5000	4750	2890	5275	2044	1665	6/12
VFHM triplex	3920	4800	4550	4800	4550	2245	5195	1399	1020	6/6
	4350	4700	4450	4700	4450	2390	5625	1544	1165	6/6
	4500	4500	4250	4500	4250	2441	5775	1595	1216	6/6
	4700	4200	3950	4200	3950	2507	5975	1661	1282	6/6
	4800	4200	3950	4600	4350	2540	6075	1694	1315	6/6
	5000	3800	3550	4500	4250	2640	6275	1794	1415	6/6
	5400	3400	3150	4300	4050	2765	6675	1919	1540	3/6
	6000	2500	2250	4000	3750	3005	7275	2159	1780	3/6